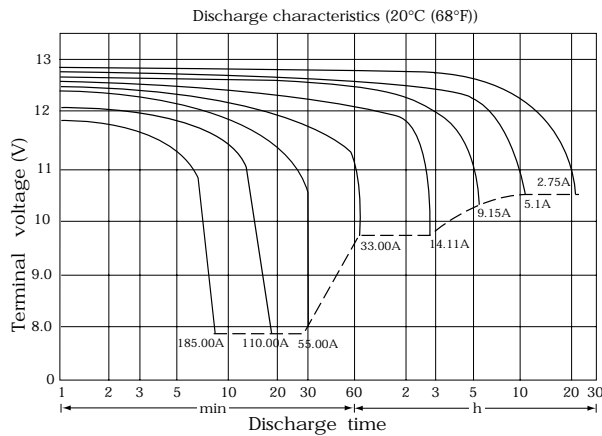
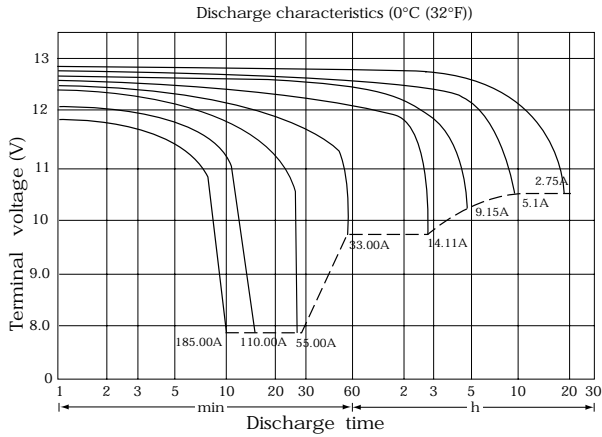


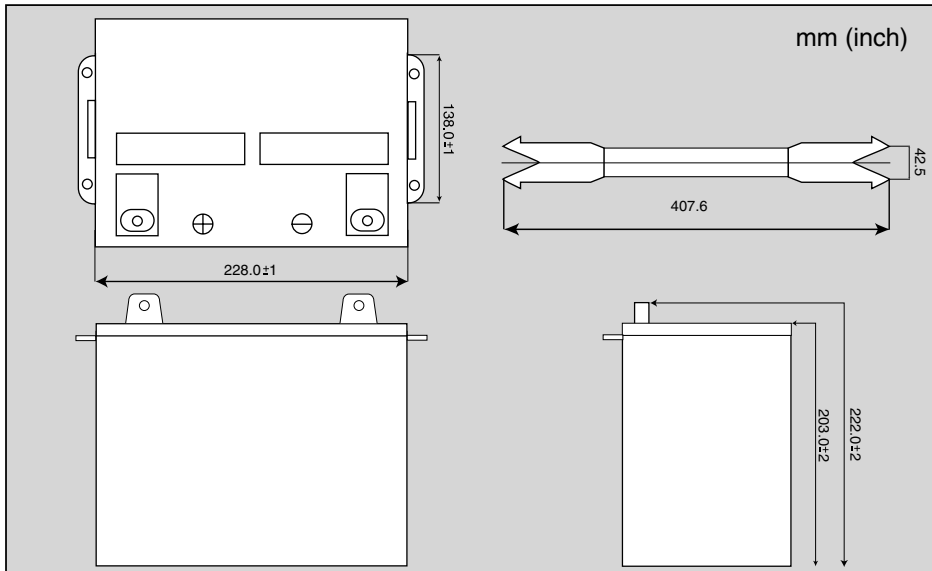
RECHARGEABLE SEALED LEAD-ACID BATTERY

ES 22NF
12Volt 55Ah



| TYPE | | ES 22NF |
|---------------------------------|-------------|-----------------------|
| NOMINAL VOLTAGE | | 12 Volt |
| NOMINAL CAPACITY | | 55.0 Ah / 20hr |
| DIMENSIONS | HEIGHT | 203.0 mm |
| | LENGTH | 228.0 mm |
| | WIDTH | 138.0 mm |
| WEIGHT | | APPROX. 18.00 kg |
| CAPACITY | 20hr 2.75A | 55.0 Ah |
| | 5hr 9.35A | 46.75 Ah |
| | 1hr 33.00A | 33.00 Ah |
| | 1C 55.00A | 27.50 Ah |
| INTERNAL RESISTANCE | | APPROX. 10.2mΩ |
| MAX. DISCHARGE CURRENT | | 550 A (5 SEC.) |
| CHARGING VOLTAGE 20°C (68°F) | STANDBY USE | 13.5-13.8V (-20mV/°C) |
| | CYCLE USE | 14.4-15.0V (-15mV/°C) |
| MAX. CHARGE CURRENT | | 16.50 A |

Dimension



Terminal

