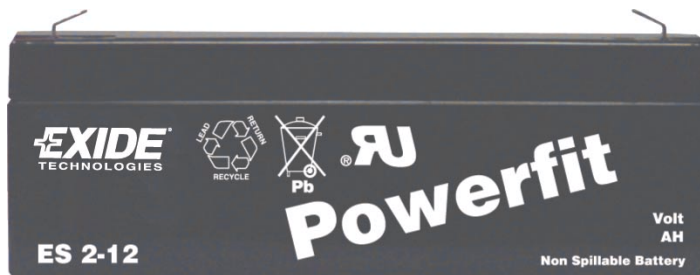
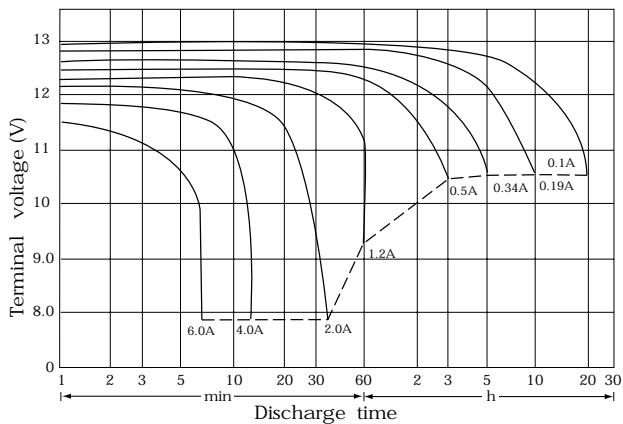


RECHARGEABLE SEALED LEAD-ACID BATTERY

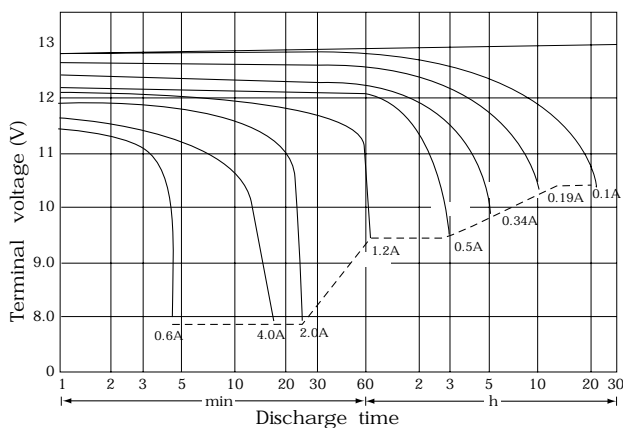
ES2-12
12Volt 2AH



Discharge characteristics (0°C (32°F))

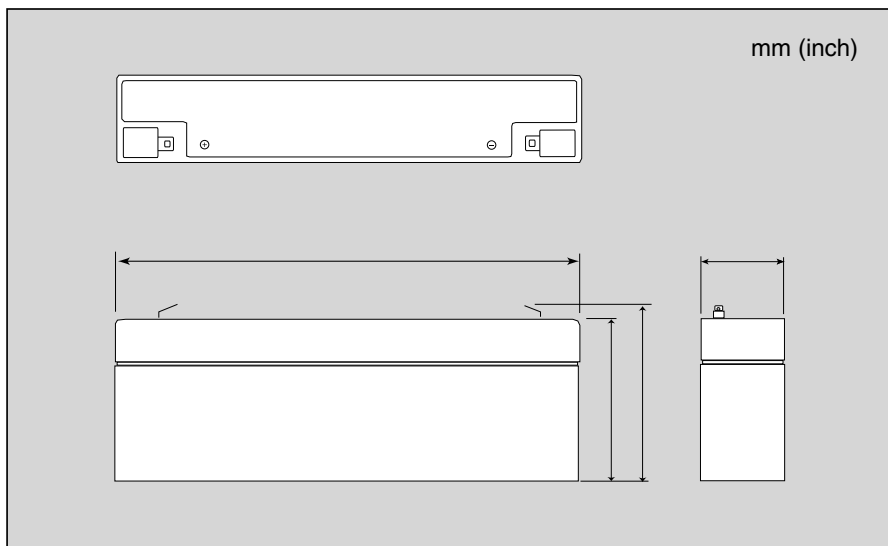


Discharge characteristics (20°C (68°F))



TYPE		ES2-12
NOMINAL VOLTAGE		12 Volt
NOMINAL CAPACITY		2 AH / 20 HR
DIMENSIONS	HEIGHT	60 mm
	LENGTH	178 mm
	WIDTH	34 mm
WEIGHT		APPROX. 21.5 KGS
CAPACITY	20HR 0.6A	2.0 AH
	5HR 2.04A	1.7 AH
	1HR 7.2A	1.2 AH
	1C 12.0A	1.0 AH
INTERNAL RESISTANCE		APPROX. 90mΩ
MAX. DISCHARGE CURRENT		30A (5 SEC.)
CHARGING VOLTAGE 20°C (68°F)	STANDBY USE	13.5-13.8V (-20mV/°C)
	CYCLE USE	14.4-15.0V (-30mV/°C)
MAX. CHARGE CURRENT		0.60 A

Dimension



Terminal

